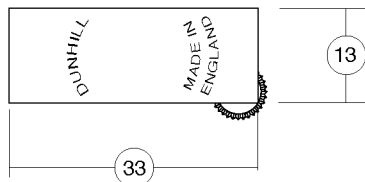
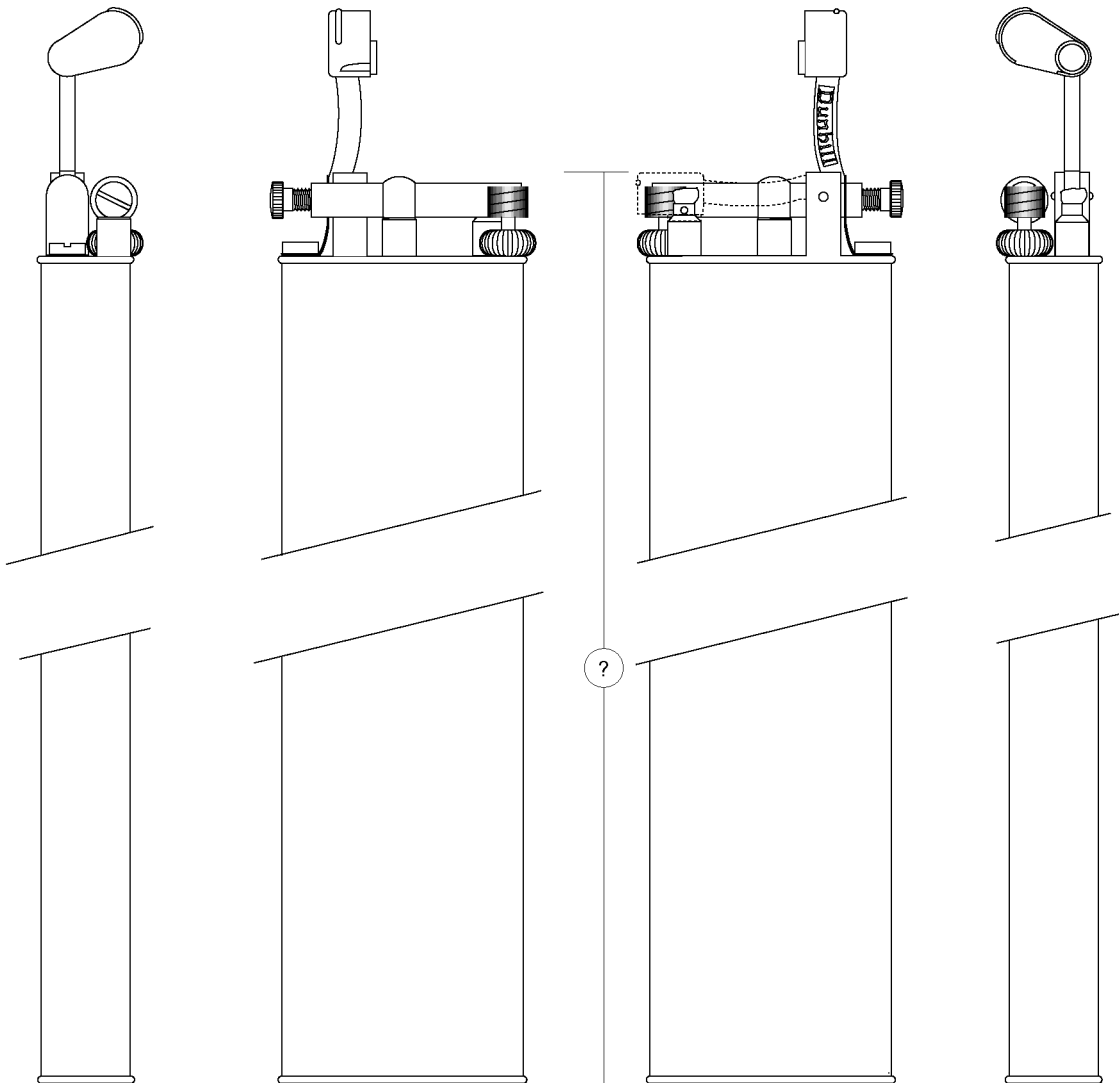
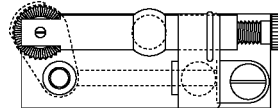


# Foot Rule Uncalibrated (Square Section)



Rounded measures in millimetres  
Different sizes.

1953	Scale	
Designed January 8th., 1997	1 : 1	
Foot Rule n.-g. (Square)		
© Copyright by British World™ s.a.s. All Rights Reserved.		